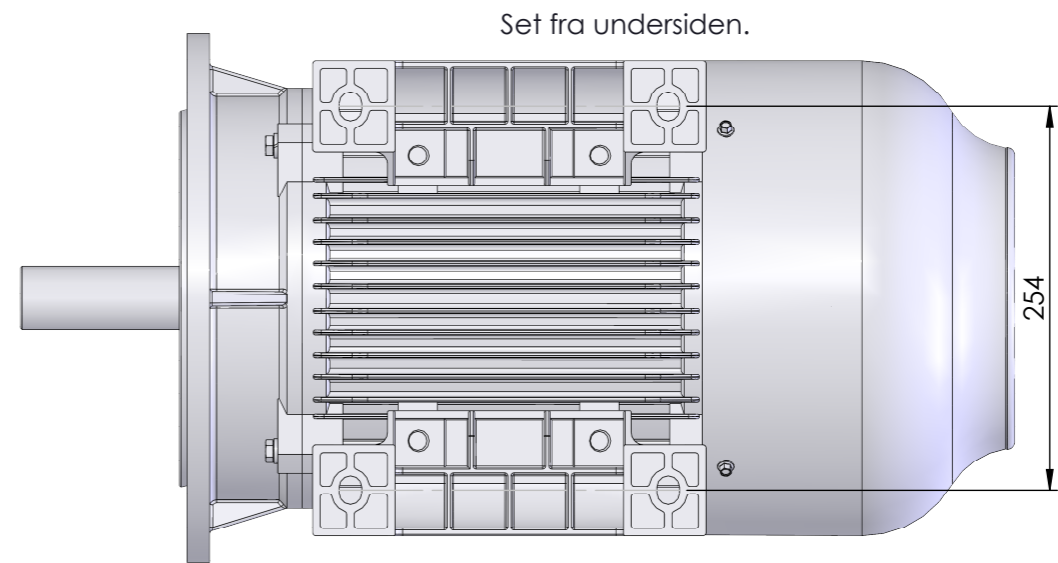
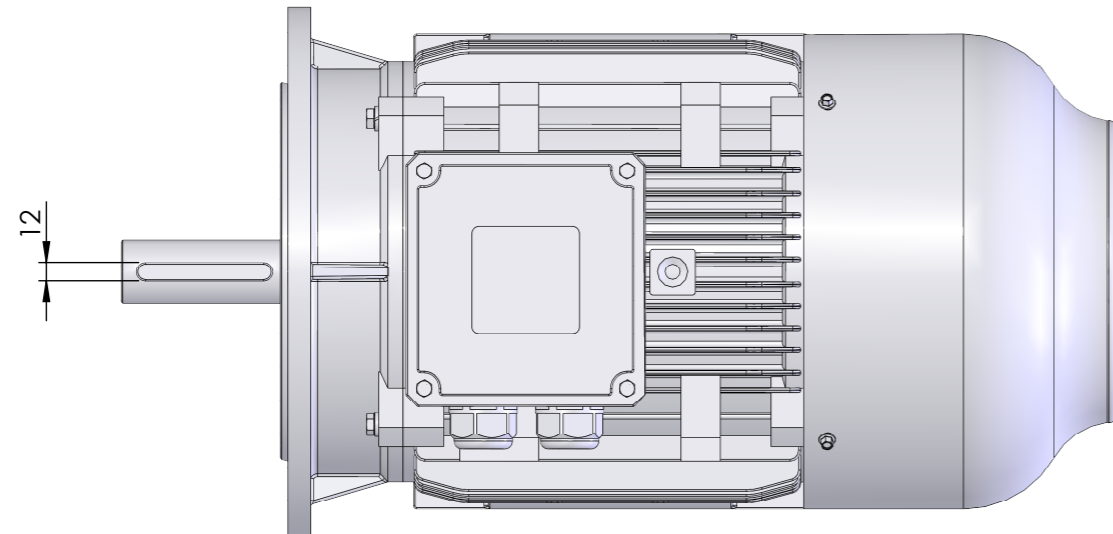
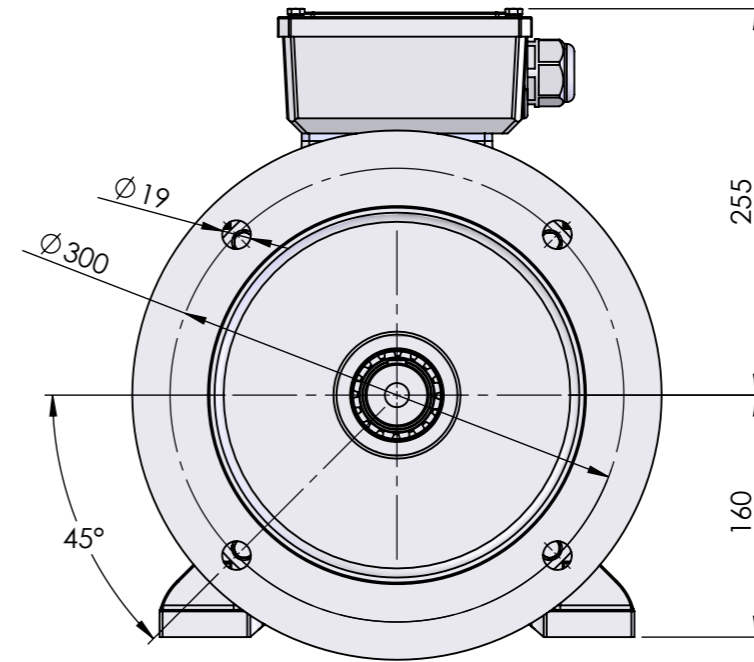
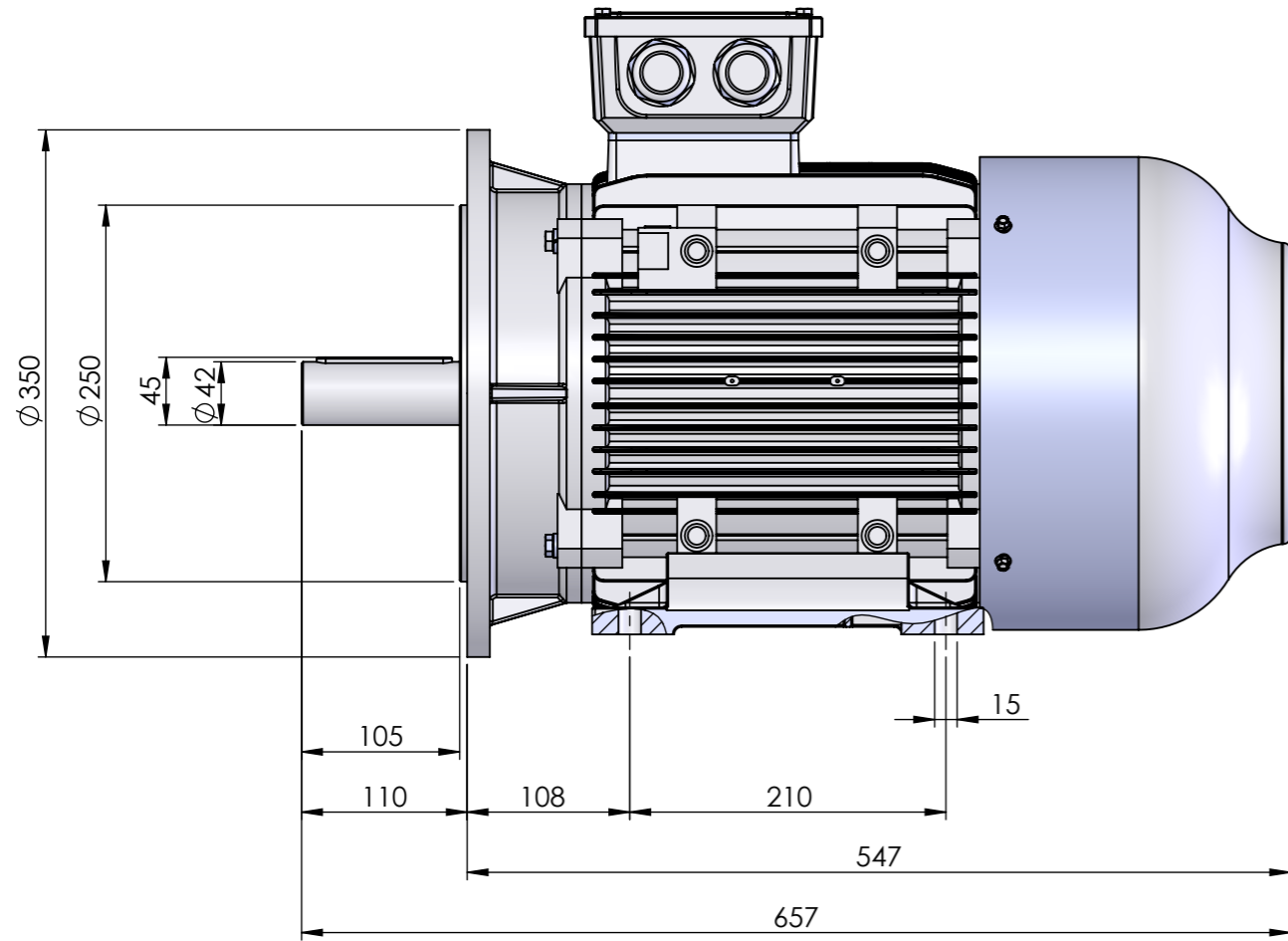



Revision	DESCRIPTION	Rev date	Rev applicant	Approved
01	Varenummer ændret fra 160M-3-4P-B3b5-01 til MT4-B35-160-1100-01	29-06-2020	MC	HSA



3D designer: HSA	Drawing no: 2014156	Date: 24.10.2017	Scale: 1:5	Size: A3	Sheet: 1 of 1
2D drawing: stj	Approved: hsa			Note: Y3PE160M4B35	
DANITECH <small>Danitech A/S - Bredholm 4 - DK-6100 Haderslev +45 76 34 23 00 - infodk@danitech.com www.danitech.com</small>		Description: Motor 11,0 kW 1475 S1 IE3 PTC			
		Item no: MT4-B35-160-1100-01		